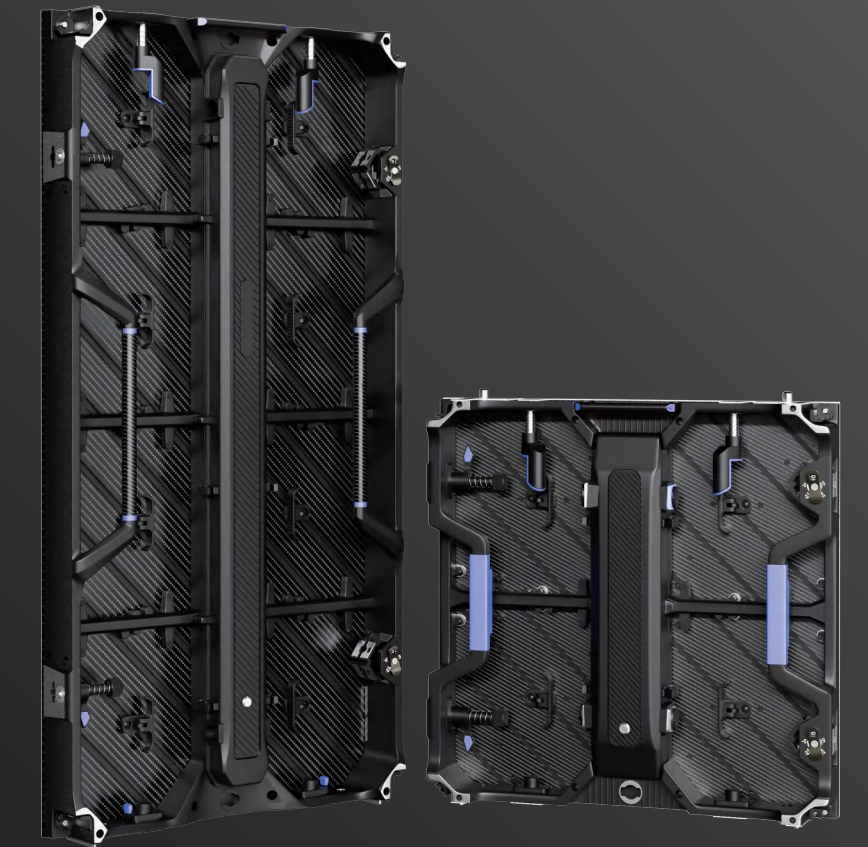
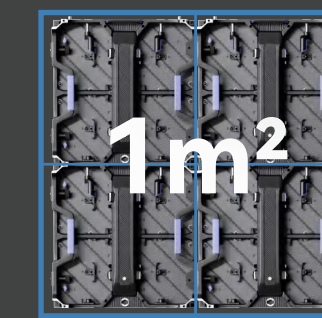


# KU SERIES

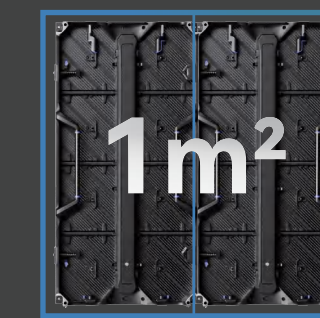
INDOOR AND OUTDOOR APPLICATION



## Different Sizes Can Also Be Spliced



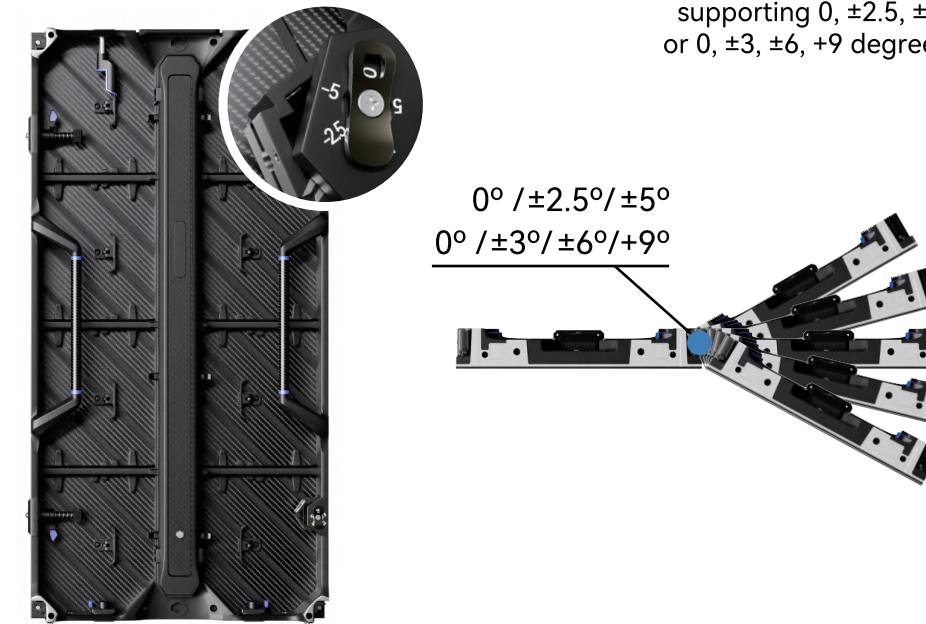
Four LED Panels  
500X500mm



Two LED Panels  
500X1000mm

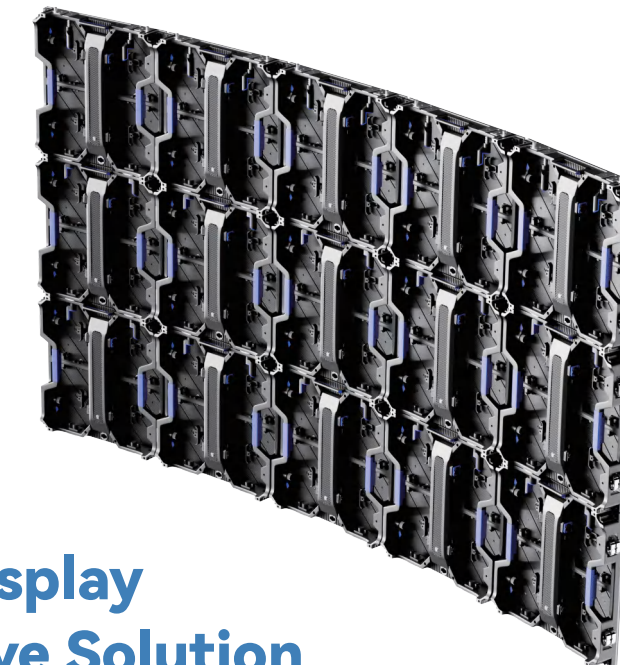
The module is not orientation-specific.

## Curved Lock System



Unique curve connection design supporting 0, ±2.5, ±5 or 0, ±3, ±6, +9 degree.

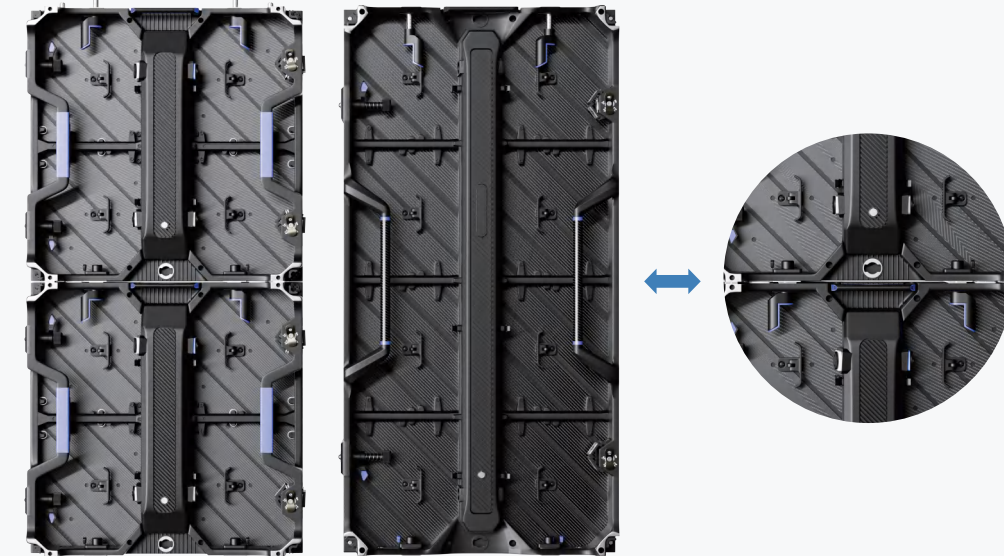
0° / ±2.5° / ±5°  
0° / ±3° / ±6° / +9°



## Flexible Display Creative Solution

## Effortless And Rapid Installation Process

The cabinet is equipped with magnets for effortless installation. Vertical lock automatically engages when two cabinets are combined, enabling single-person installation with ease.



## Stock assembly with ground support system

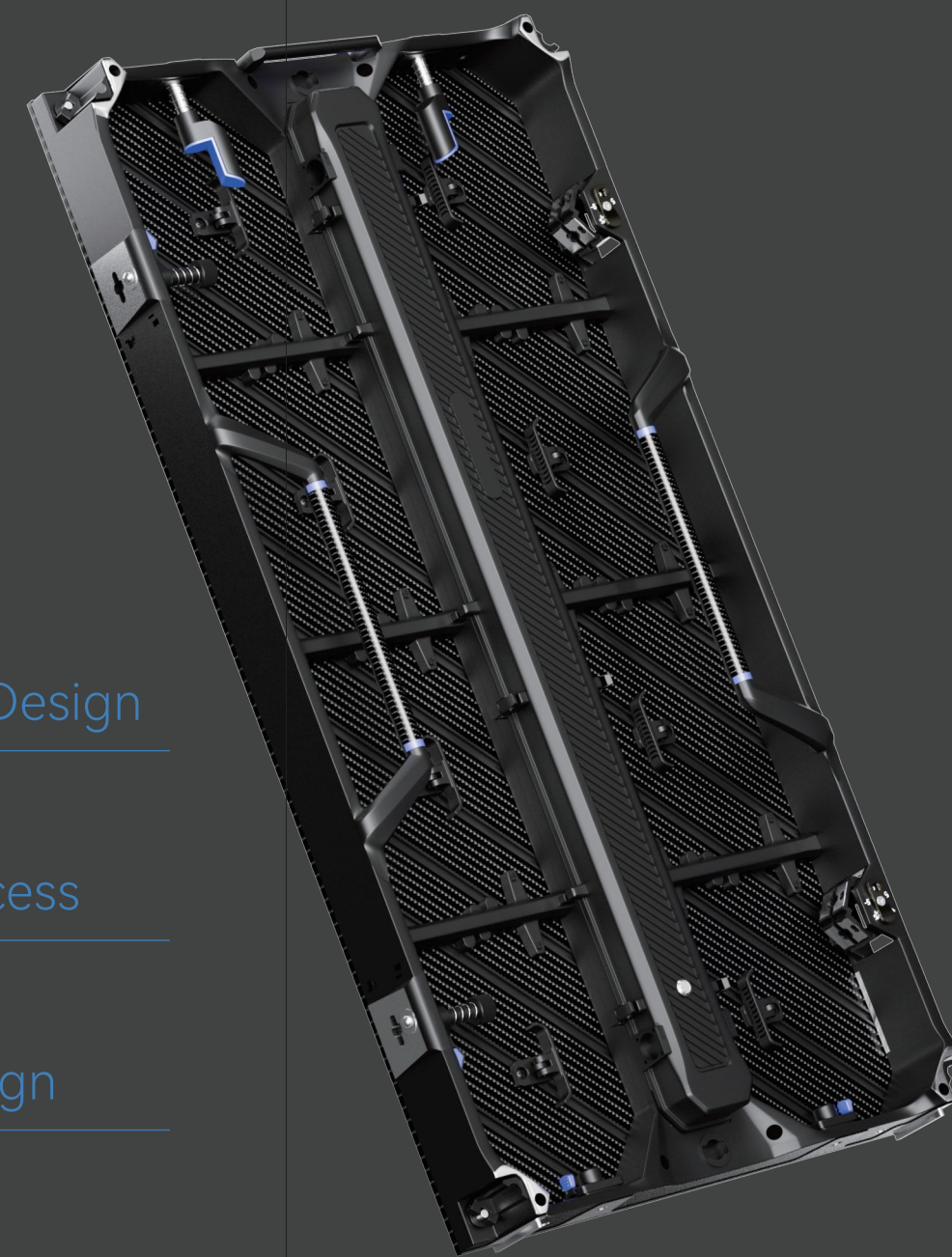


Installation Steps



## Product Advantages

Weight **14** Kg Thickness **83** mm



Lightweight and Ultra-thin Design

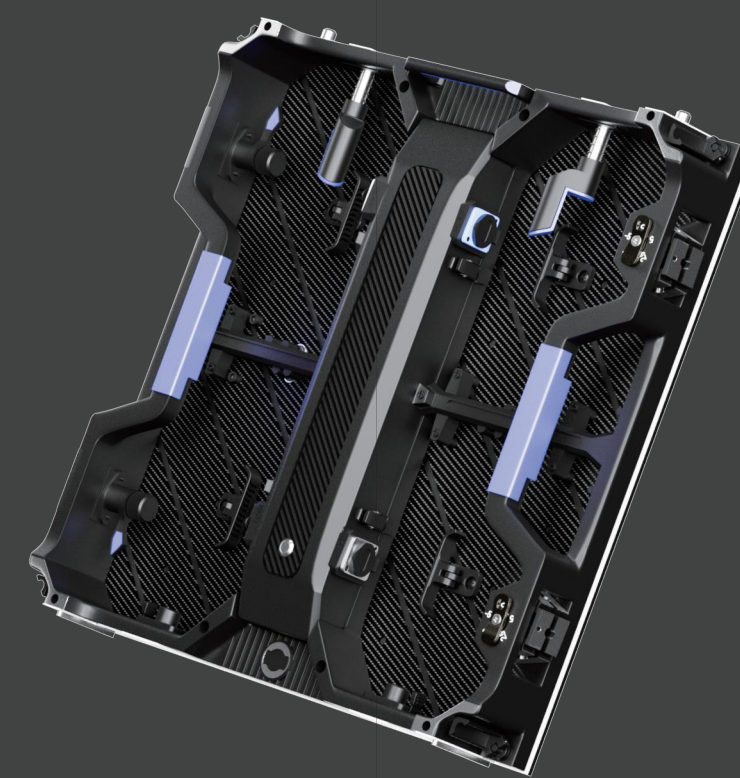
Simplified Maintenance Process

Optimized Bottom Gap Design

Four-corner Protection with a Unique Design

Effortless and Rapid Installation Process

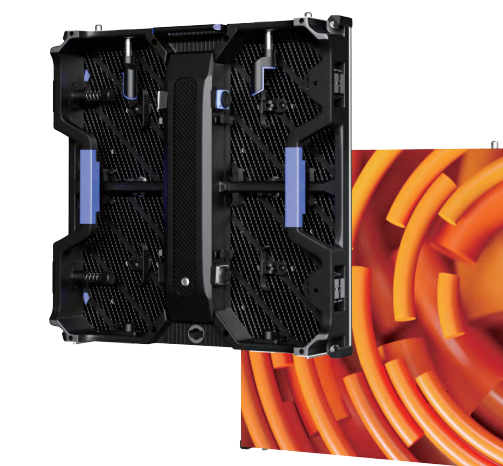
90-Degree Corner Application



Weight **8.6** Kg Thickness **83** mm

This series can also be used as floor tile screen.

## KU Series



GOB (Glue-On-Board) available for selection

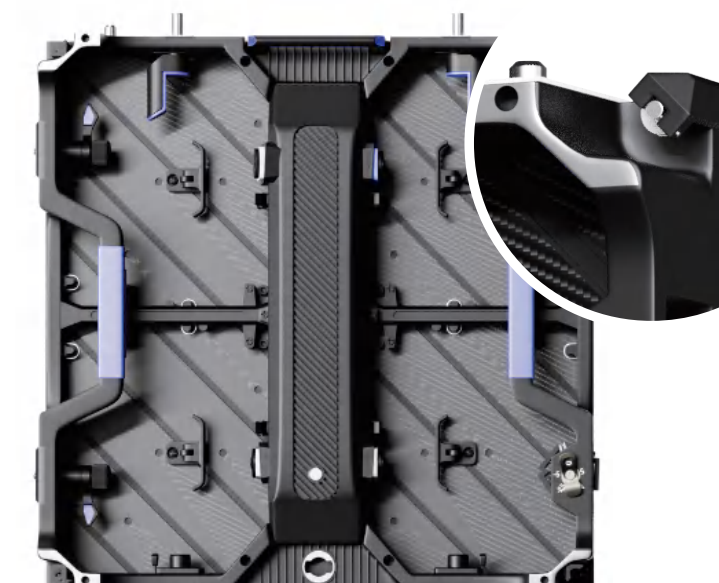
The KU series is a high-definition, curve-able LED display specifically designed to meet the demanding requirements of the rental market.

With unique corner protection on each cabinet, it offers maximum protection for module edges.

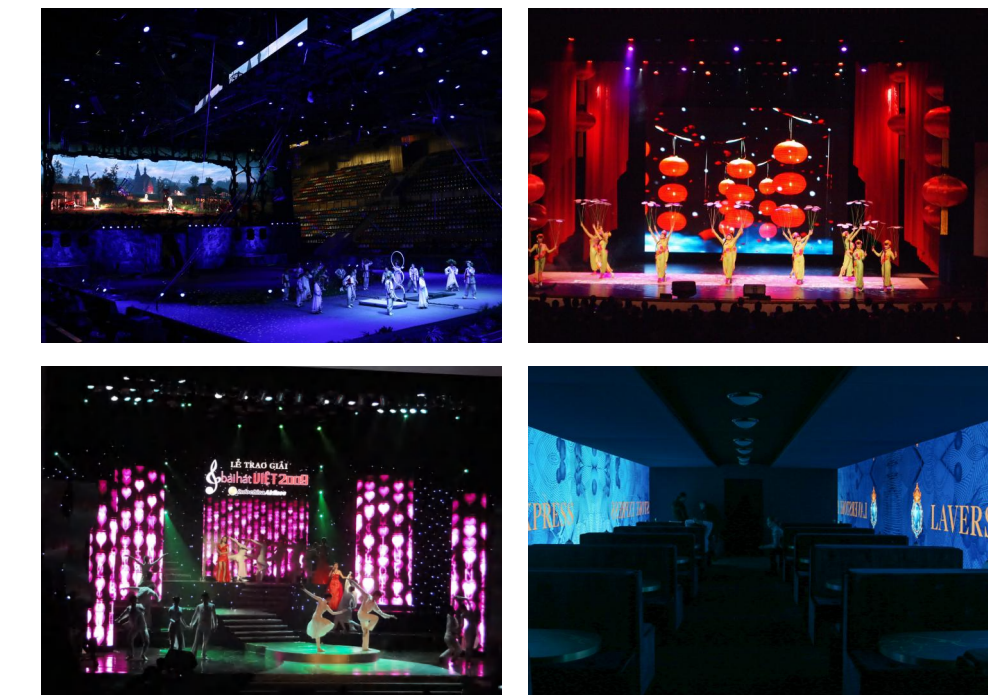
Power supply, receiving card and hub board are integrated on one board without complex wiring, ensuring stable performance.

## Four-corner Protection with a Unique Design

Maximum edge protection for modules



## Case Studies



### Specifications

Part Number	KU1.9	KU2.6	KU(0)2.9	KU(0)3.9	KU(0)29/39
Pixel Pitch	1.9mm	2.6mm	2.9mm	3.9mm	2.9mm/3.9mm
LED Type	SMD1515	SMD1515	SMD1415	SMD1415/1921	SMD1415/1921
Pixel Configuration	1R1G1B	1R1G1B	1R1G1B	1R1G1B	1R1G1B
Module Size	250mmx250mm	250mmx250mm	250mmx250mm	250mmx250mm	250mmx250mm
Module Resolution	128x128	96x96	84x84	64x64	84x84/64x64
Density (dots/m²)	262144	147456	112896	65536	112896/65536
Cabinet Size (mm)	500x500x83	500x500x83	500x500x83	500x500x83	500x1000x83
Cabinet Material	Die-casting	Die-casting	Die-casting	Die-casting	Die-casting
Cabinet Weight	8.6Kg	8.6Kg	8.6Kg	8.6Kg	14Kg
Hanging Support (Yes/No)	Yes	Yes	Yes	Yes	Yes
Max Power Consumption	600W/M²	600W/M²	750W/M²	750W/M²	750W/M²
Average Power Consumption	200W/M²	200W/M²	250W/M²	250W/M²	250W/M²
Colors	16.7M	16.7M	16.7M	16.7M	16.7M
Gray Scale	16bits	16bits	16bits	16bits	16bits
Color Temperature	3000-10000K	3000-10000K	3000-10000K	3000-10000K	3000-10000K
Refresh Frequency	>3840Hz	>3840Hz	3840-7680Hz	3840-7680Hz	3840-7680Hz
Brightness (cd/m²)	800	900	4000	4500	3500-4500
Brightness Control	256 grade	256 grade	256 grade	256 grade	256 grade
IP Grade	IP30	IP30	IP65	IP65	IP65